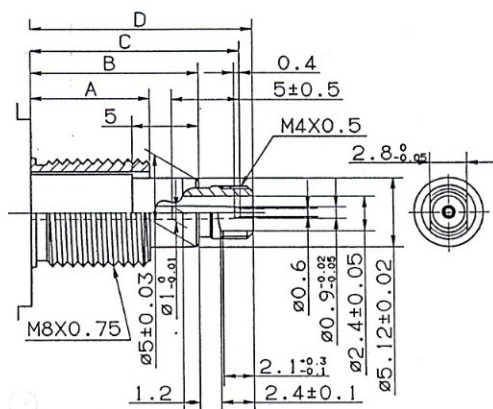
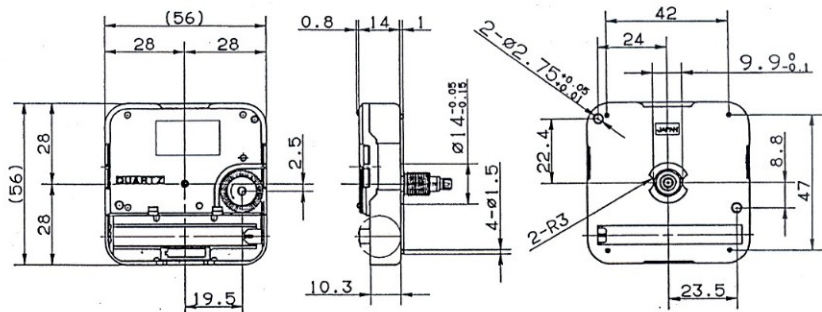
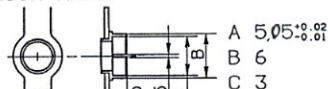


QUARTZ CLOCK MOVEMENT

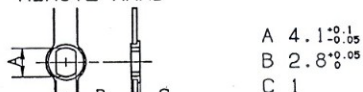
28504R
28507S



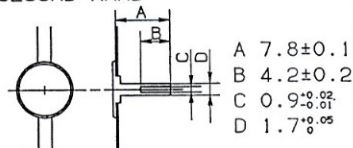
HOUR HAND



MINUTE HAND



SECOND HAND



CAL.	A	B	C	D
28504R	8.8	12.5	15.5	16.5
28507S	19.0	22.5	25.8	26.5

SPECIFICATIONS

Crystal Oscillator	: 32.768KHz
Time Keeping	: 0.45 ± 0.55 sec/day at 1.5V, 23°C
Operating Voltage	: 1.3V to 1.7V
Operating Temperature	: -10°C to 50°C
Driving System	: self-start, step-motor drive
Circuit Output Frequency	: 0.5Hz
Weight	: approx. 22g w/o battery
Torque	• second shaft : over 1.4gf-cm(1.5V) • minute shaft : over 30gf-cm(1.5V)

Average Current

Consumption	: under $120 \mu A$ at 1.5V
Allowed Hand	Second Minute
Length	: under 130mm 160mm
Weight	: under 2g 6g
Unbalance	: under 0.15g-cm 6g-cm