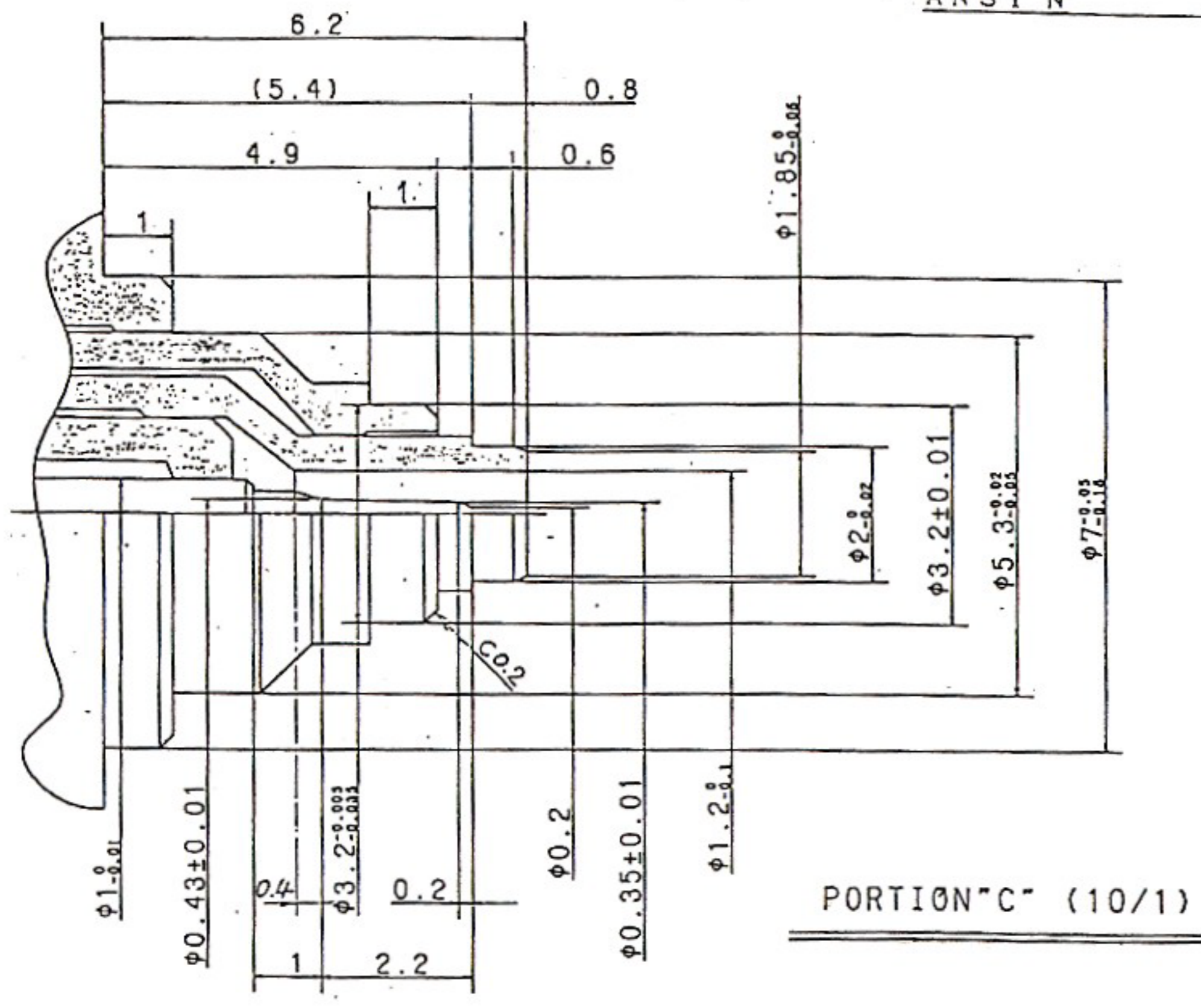
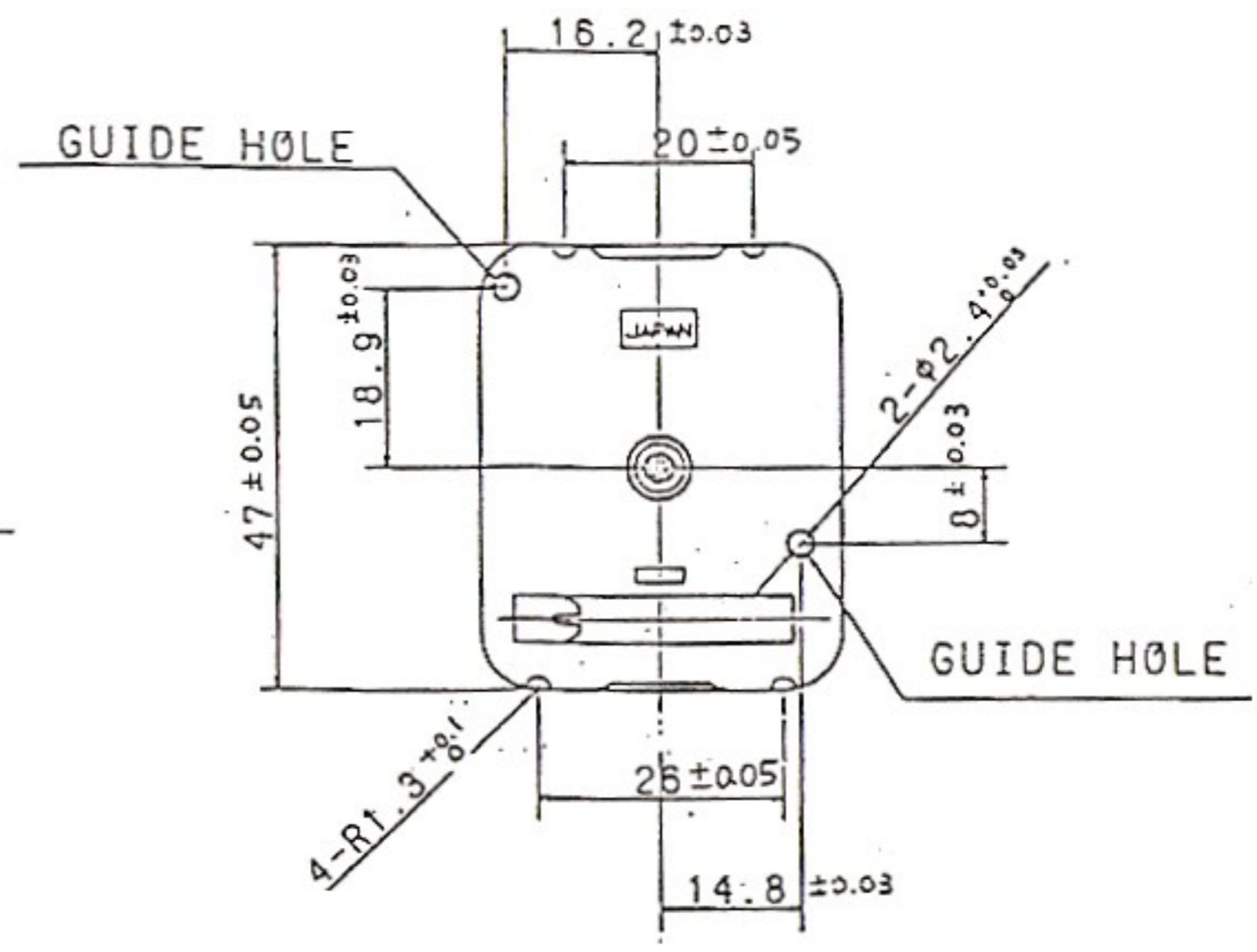
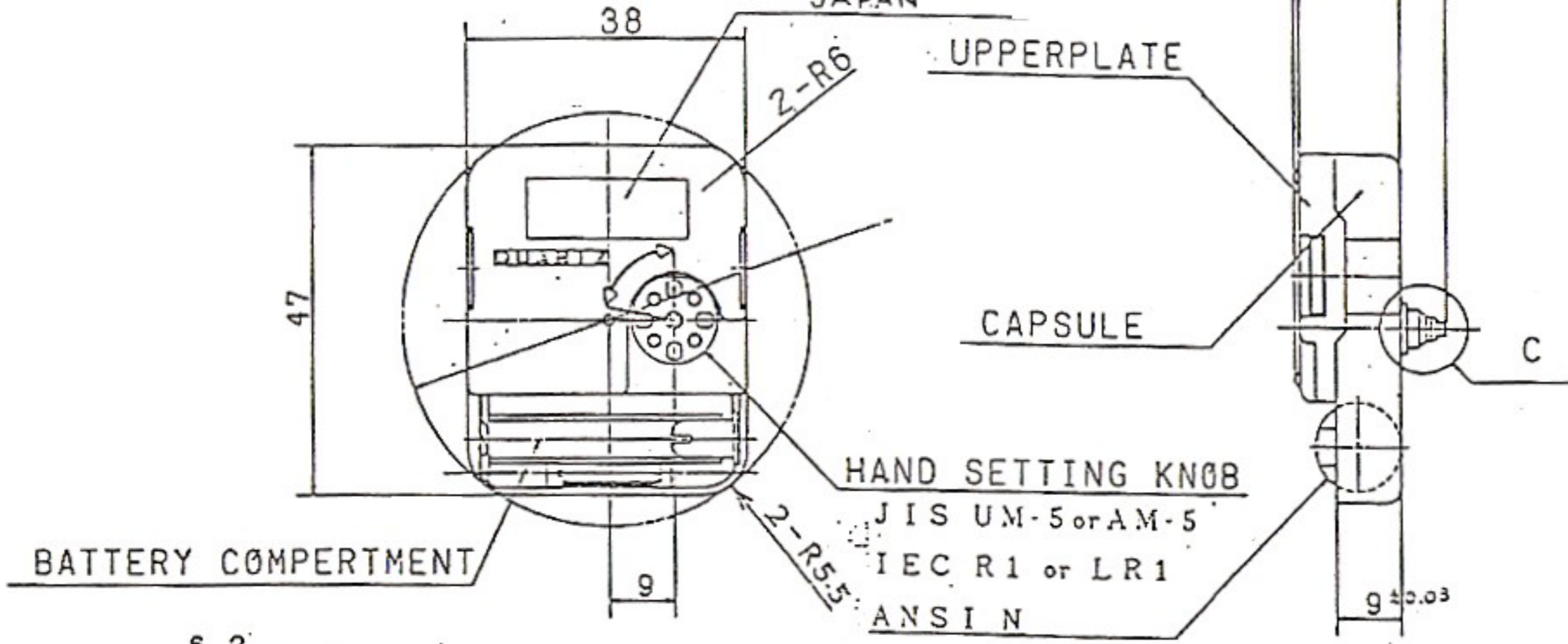


REVISIONS & RECORDS

CL	DATE	CHANGE NO.	DESCRIPTION	BY
	88.5.12	T-D-29	ORIGINAL	
Δ	91.12.11	T-E-31	41102A	
Δ				

TOCHIGI TOKEI CO., LTD.
NO(O) JEWELS
UNADJUSTED
JAPAN



NOTE: ANY PORTIONS WHICH ARE NOT FILLED OUT ON THIS DRAWING ARE SUBJECT TO CHANGE WITHOUT PRIOR NOTICE

TRACED	DESIGNED	CHECKED	APPROVED	SCALE	TOLERANCE	±0.1
	E. OSHIMA			1:1	OUTSIDE DRAWING	
SEIKOSHA CO., LTD.					CALIBER (41102A)	
					3RD ANGLE PROJECTION	