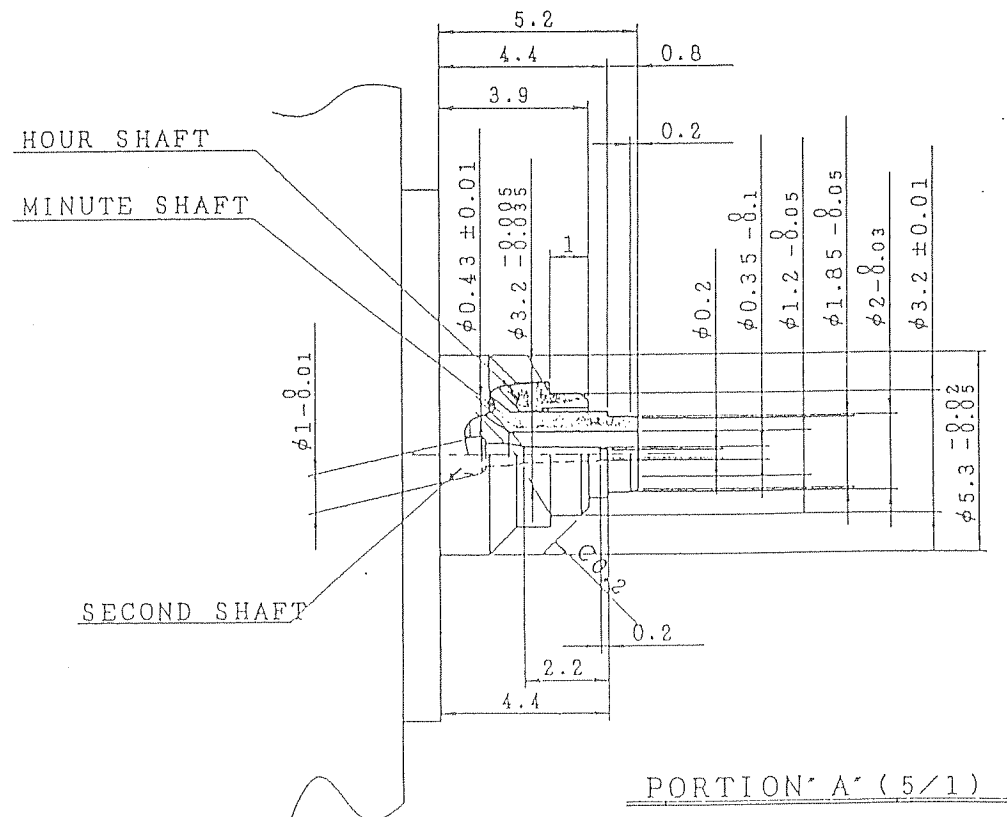
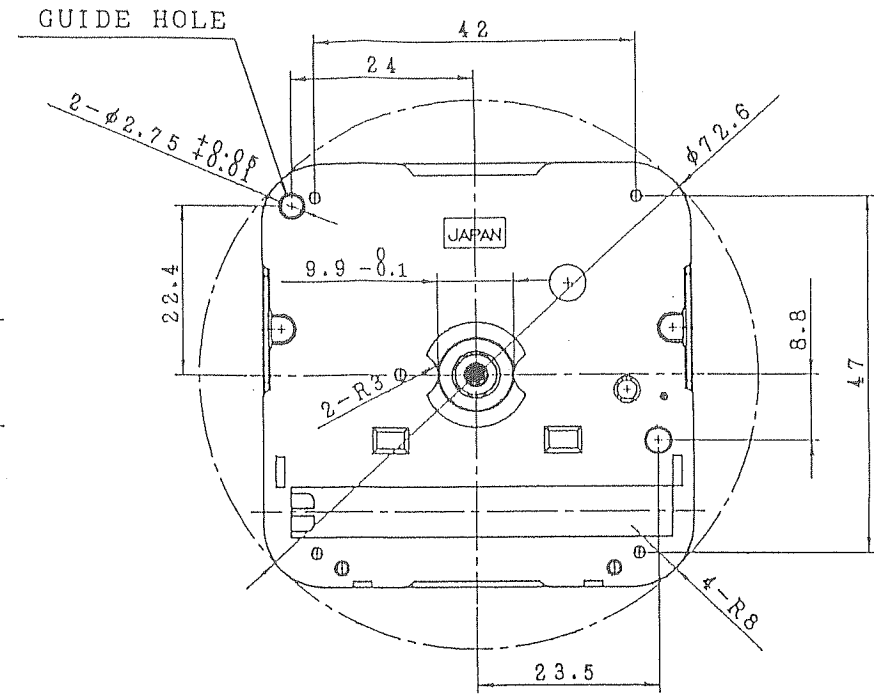
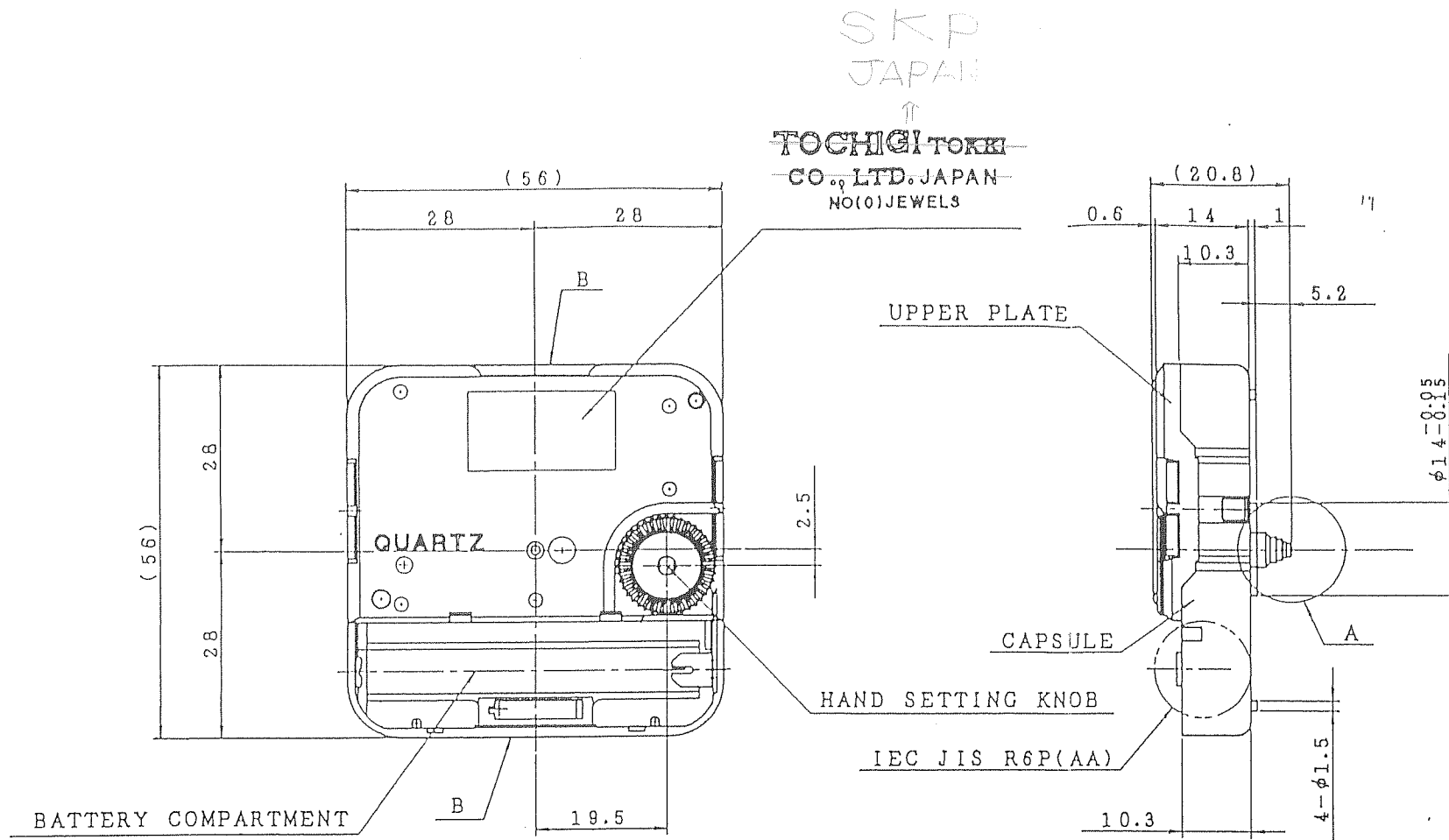


REVISIONS & RECORDS				
CL	DATE	CHANGE NO.	DESCRIPTION	BY
原	4.7	GE-195	2ND EDIT	(Signature)
△				
△				



NOTE

1. MOVEMENT MOUNTING BY SNAPPFIT AT B

NOTE : ANY PORTIONS WHICH ARE NOT FILLED OUT ON THIS DRAWING ARE SUBJECT TO CHANGE WITHOUT PRIOR NOTICE

TRACED	DESIGNED	CHECKED	APPROVED	SCALE	
	(Signature)	(Signature)	(Signature)	1 : 1	OUTSIDE DRAWING
SEIKOSHA CO., LTD.					CALIBER 42405R
					8RD ANGLE PROJECTION