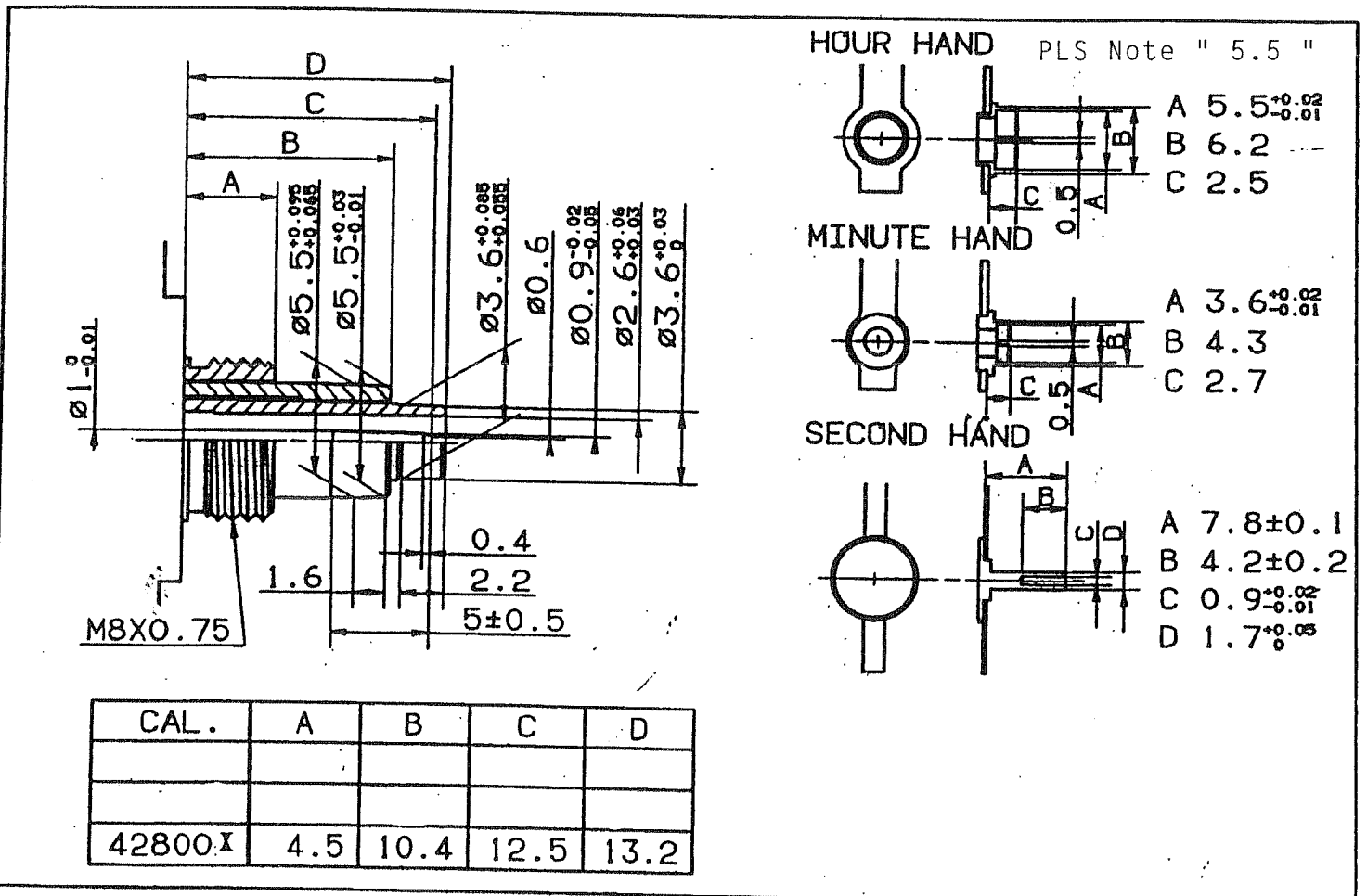
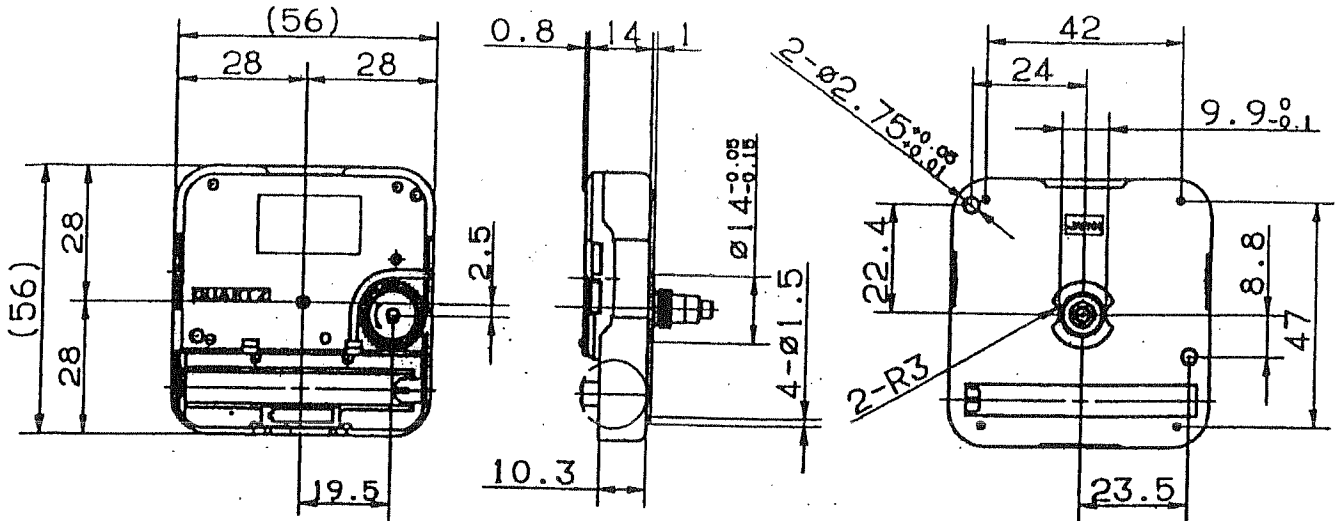


QUARTZ CLOCK MOVEMENT

4 2 8 0 0 X

HIGH TORQUE



SPECIFICATIONS

Crystal Oscillator : 32.768KHz
 Time Keeping : 0.45 ± 0.55 sec/day
 at 1.5V, 23°C
 Operating Voltage : 1.3V to 1.7V
 Operating Temperature : -10°C to 50°C
 Driving System : self-start, step-motor drive
 Circuit Output Frequency : 0.5Hz
 Weight : approx. 22g w/o battery
 Torque : second shaft : over 1.4gf-cm(1.5V)
 : minute shaft : 45 gf-cm(1.5V)

Rated Voltage : 1.5V
 Battery Size : AA size(IEC R6) 1 piece
 Battery Life : 1 year
 Average Current Consumption : under 120 μ A at 1.5V
 Allowed Hand : Second Minute
 Length : under 130mm 200mm
 Weight : under 2g 6g
 Unbalance : under 0.15g-cm 6gf-cm