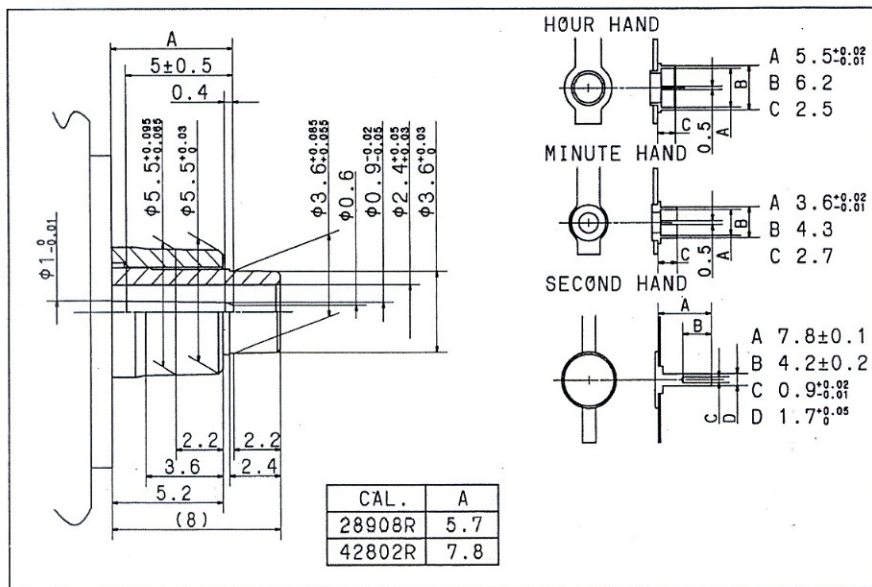
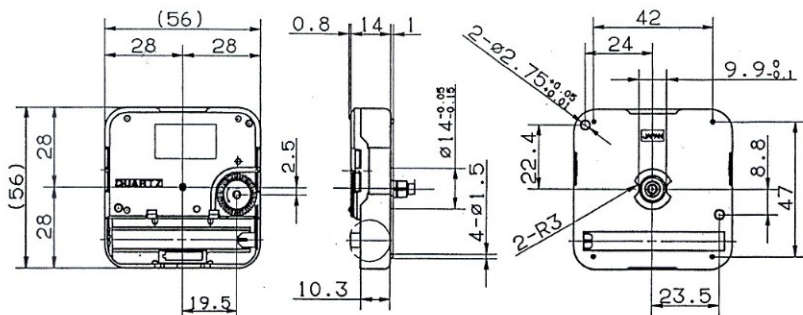


QUARTZ CLOCK MOVEMENT

28908R
42802R



SPECIFICATIONS

Crystal Oscillator	: 32.768KHz	Rated Voltage	: 1.5V
Time Keeping	: 0.45 ± 0.55 sec/day at 1.5V, 23°C	Battery Size	: AA size(IEC R6) 1 piece
Operating Voltage	: 1.3V to 1.7V	Battery Life	: 1 year
Operating Temperature	: -10°C to 50°C	Average Current	: Consumption : under $120 \mu A$ at 1.5V
Driving System	: self-start, step-motor drive	Allowed Hand	: Second Minute
Circuit Output Frequency	: 0.5Hz	Length	: under 130mm 160mm
Weight	: approx. 22g w/o battery	Weight	: under 2g 6g
Torque	: second shaft : over 1.4gf-cm(1.5V) : minute shaft : over 30gf-cm(1.5V)	Unbalance	: under 0.15g-cm 6g-cm

1990.07.01